

## PRODUCT DATA SHEET

### Tolomeo micro parete - Halo Anodized orange

MYWHITELIGHT®



#### DESIGN BY :

Michele De Lucchi , Giancarlo Fassina  
2006

#### MATERIALS :

Anodized aluminium, polished aluminium

#### DESCRIPTION :

Cantilevered arms in polished aluminium; diffuser in bronze anodised aluminium; joints and wall support in polished aluminium. System of spring balancing.

#### Light emission



Direct Adjustable

IP 20     

### TECHNICAL DATA SHEET

#### FEATURES

Product name:	Tolomeo micro parete - Halo Anodized orange
Article Code:	<b>A010960 + A025150</b>
Colour:	Metal orange
Material:	Anodized aluminium, polished aluminium
Support:	Wall
Support colour:	Polished aluminium
Series:	Design, My White Light
Environment:	Indoor

#### OPTICS

Emission:	Direct Adjustable
-----------	-------------------

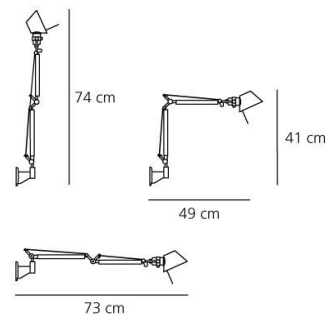
#### DIMENSIONS

Length:	(cm) 49
Height:	(cm) 41
Max Extension Height:	(cm) 74
Max Extension Length:	(cm) 73
Cutout shape:	

#### LAMPS NOT INCLUDED

Category:	HALO
Number:	1
Lbs:	Qt26
Watt:	60
Socket:	E14
Type:	N/s
Colour Rendering:	1a
Colour temperature (K):	N/s

#### DIMENSIONS



#### LAMP

IP 20     

#### ELECTRICAL

Voltage:	220V-240V
----------	-----------